

# Columbia

The Model FL3000 floor level palletizer is the latest generation of heavy-duty, time tested palletizer from Columbia Machine. The FL3000 provides the ultimate combination of safety, productivity and flexibility to handle a wide variety of package types, including cases, trays, totes, film only and display packs from a variety of industries including canned and frozen foods, beverage and many more.

Operating much like the FL2000, the FL3000 is able to obtain greater speeds due to the addition of a layer storage table, palletizing at 30 - 45 cases per minute, depending on case size and pallet pattern. As with all heavy-duty Columbia Machine palletizers, the FL3000 includes a formed and welded frame, 80-pitch hoist chain, Category 3 rated electrical safety components and Product Manager Software, making it "built to last" and EASY TO OPERATE.



## FEATURES

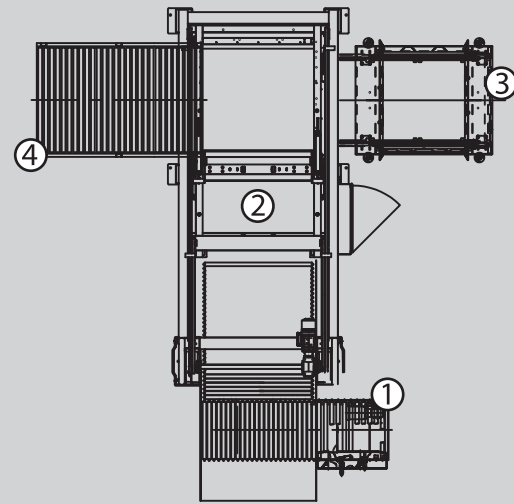
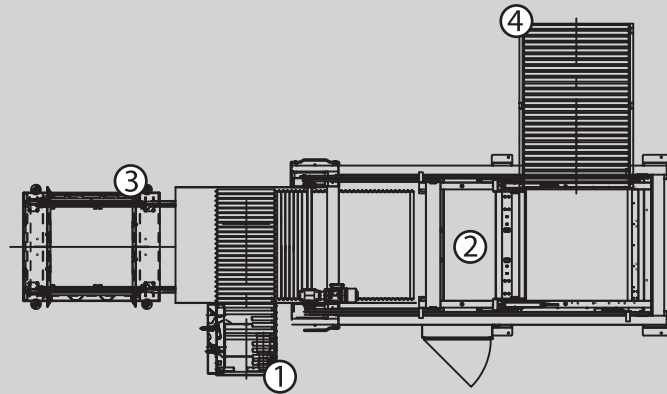
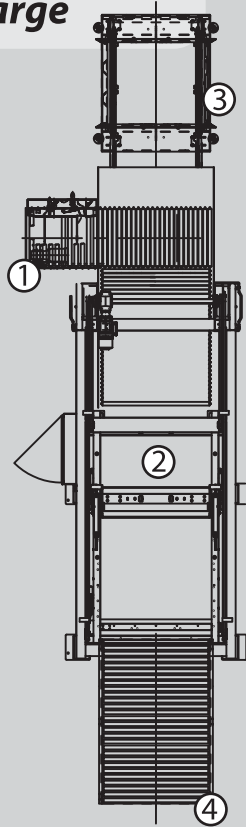
- Fully automatic pallet dispenser
- Category 3 electrical safety circuits
- UL approved or CSA certified control panel
- Easy-to-operate with Columbia's Product Manager software
- Infeed tunnel
- Flexible, modular layout
- Convenient floor level operation
- On board I/O electrical connections with ethernet enabled PLC
- Integrated automatic hoist safety pins
- Centering side layer guides with smart squeeze
- Maintenance friendly access doors
- Online parts ordering at [www.palletizing.com](http://www.palletizing.com)
- 24-Hour parts and service hotline  
[1.800.628.4065](tel:18006284065)

To view a video of the FL3000 in operation and for more information on Columbia's complete line of palletizers, please visit [www.palletizing.com](http://www.palletizing.com) or call toll-free at [1.800.628.4065](tel:18006284065) / direct at [1.360.694.1501](tel:13606941501).

# FL3000

## Common Palletizer Layouts

- ① **Infeed**
- ② **Palletizer**
- ③ **Pallet Dispenser**
- ④ **Discharge**



### OPTIONS

- Unitizing
- Labels-out stacking
- Oversized loads
- Speed enhancement upgrades
- Slip, tie and cap sheet dispenser(s)
- Soft product turning
- Upsteam and downstream conveyor and interfacing
- FDA accepted stainless steel paint
- Double stacked loads
- Discharge conveyor
- Turnkey systems integration

*Columbia*

[www.palletizing.com](http://www.palletizing.com)